

10 9 8 7 6 5 4 3 2 1

F

E

D

C

B

A

F

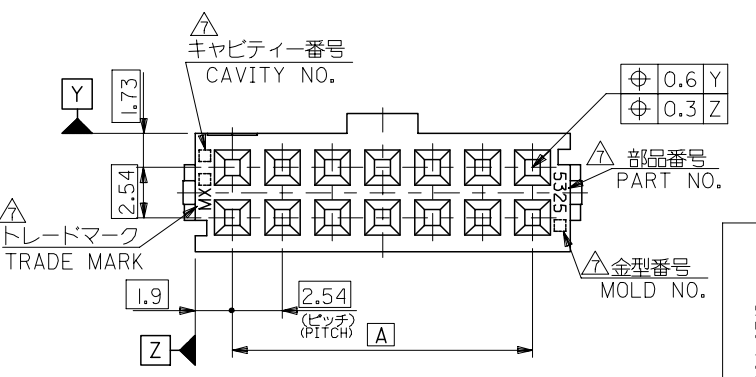
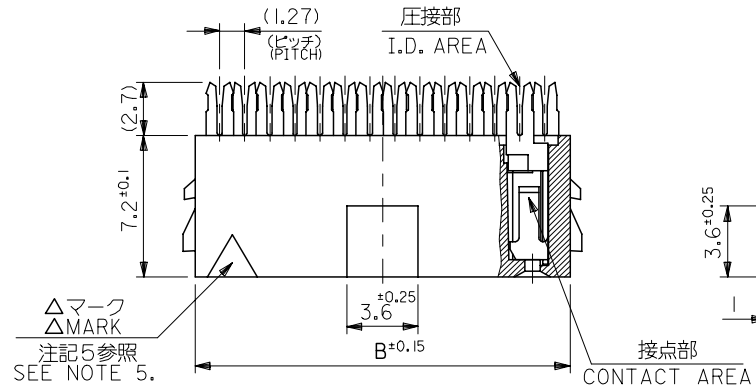
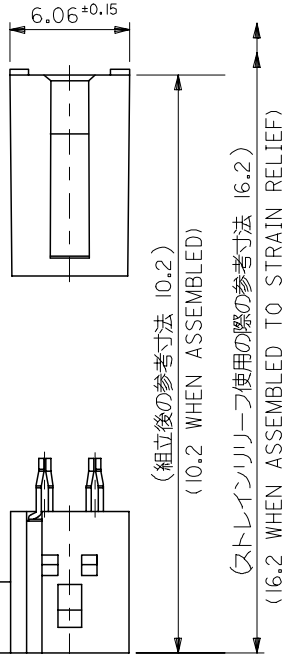
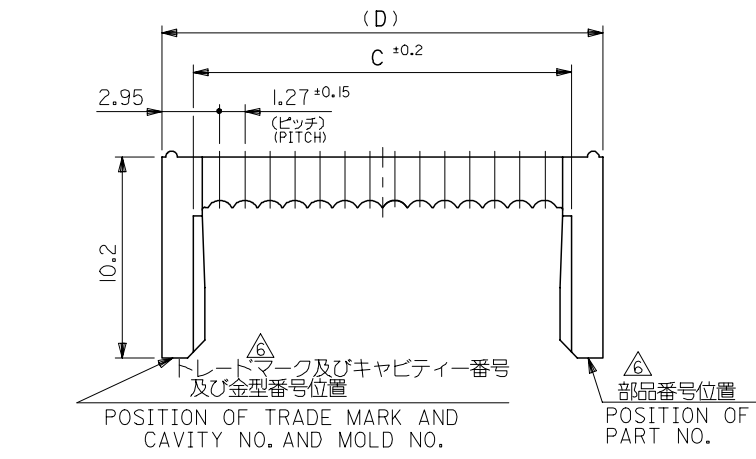
E

D

C

B

A



コード: CODE	△マークの色 MARK COLOR	接点部メッキ CONTACT AREA PLATE	圧接部メッキ I.D. AREA PLATE	下地メッキ UNDER PLATE
LEAD FREE G1	白 WHITE	金 GOLD 0.1μm MIN.	金 GOLD 0.1μm MIN.	ニッケル NICKEL 1μm MIN.
LEAD FREE G2	橙 ORANGE	金 GOLD 0.76μm MIN.		
LEAD FREE G3	緑 GREEN	金 GOLD 0.25μm MIN.		
GS1	黄 YELLOW	金 GOLD 0.1μm MIN.	半田 TIN-LEAD 1μm MIN.	
GS2	茶 BROWN	金 GOLD 0.76μm MIN.		
LEAD FREE GS3	青 BLUE	金 GOLD 0.25μm MIN.		
LEAD FREE GS4	金 GOLD	金 GOLD 1.27μm MIN.		
LEAD FREE GS17F	黄 YELLOW	金 GOLD 0.1μm MIN.	錫 TIN 1μm MIN.	
LEAD FREE GS27F	茶 BROWN	金 GOLD 0.76μm MIN.		
LEAD FREE GS37F	青 BLUE	金 GOLD 0.25μm MIN.		
LEAD FREE GS47F	金 GOLD	金 GOLD 1.27μm MIN.		
LEAD FREE T2	黒 BLACK	銅 TIN 0.9μm MIN. リフロー処理 (前メッキ) REFLOW (PRE-PLATED)		

60	73.66	77.46	77.63	80.83
50	60.96	64.76	64.93	68.13
40	48.26	52.06	52.23	55.43
34	40.64	44.44	44.61	47.81
30	35.56	39.36	39.53	42.73
26	30.48	34.28	34.45	37.65
20	22.86	26.66	26.83	30.03
16	17.78	21.58	21.75	24.95
14	15.24	19.04	19.21	22.41
10	10.16	13.96	14.13	17.33
極数 NO. OF Ckt.	A 寸法 DIM.A	B 寸法 DIM.B	C 寸法 DIM.C	D 寸法 DIM.D

REVISED EC NO: J2006-0712 DRWN: YANAGI MOTO 2005/10/03 CHKD: TANAKA 2005/10/06 APPR: NUKITA 2005/10/14	GENERAL TOLERANCES (UNLESS SPECIFIED)		DIMENSION STYLE MM ONLY		SCALE 4:1	DESIGN UNITS METRIC	THIRD ANGLE PROJECTION	
	10 UNDER	±0.2	DRAWN BY SMATSUZAKI	DATE 1997/04/23	TITLE QIK FLECS FEMALE ASSY			
	10 OVER 30 UNDER	±0.25	CHECKED BY KTOJO	DATE 1997/10/13	APPROVED BY MFUKUSHIMA 1997/10/13			
	30 OVER	±0.3	MATERIAL NO. SEE SHEET 2 OF 2		DOCUMENT NO. SD-5320-001		SHEET NO. 1 OF 2	
	ANGULAR	±3 °	DRAFT WHERE APPLICABLE MUST REMAIN WITHIN DIMENSIONS THIS DRAWING CONTAINS INFORMATION THAT IS PROPRIETARY TO MOLEX INCORPORATED AND SHOULD NOT BE USED WITHOUT WRITTEN PERMISSION					

NOTE

1. 材料 ハウジング : ガラス繊維 15% 入り PBTP (UL94V-0), 黒色
 MATERIAL HOUSING : PBTP (15%G.F.), UL94V-0, BLACK
 TERMINAL : PHOS.BRO.

2. 適用電線 : I.27ピッチリボンケーブル 被覆外径: ϕ 1.14 MAX.
 単線 : AWG#26 ~ #28 (芯線7本構成)
 FOR USE WITH AWG#26 & #28 STRANDED WIRE
 (CONSISTS OF 7 CONDUCTORS) AND #28 WIRE.
 1.14 DIA. MAX. INSULATION RIBBON CABLE WITH I.27 CENTERS.

3. 適合ストレインリリーフ : 5328-N
 MATES WITH STRAIN RELIEF OF 5328 SERIES

4. 嵌合相手 : 5330,5332,5340,5342 シリーズ
 MATES WITH CONNECTOR SERIES OF 5330,5332,5340 & 5342

5. 使用符号の説明 LEGEND **5320 - N A * - ***

ベースナンバー
 BASE NUMBER
 回路
 CIRCUIT SIZE
 アッパーハウジング分極タイプ
 UNLOADED UPPER HOUSING
 ターミナルのメッキコート
 PLATING CODE OF TERMINAL

ハウジングの色
 MATERIAL COLOR
 BLANK : BLACK
 GY : GRAY

△ トレードマーク: MX プラス1文字の製造工場を示すアルファベットにて構成
 但し、* J * は JAPANを示す。(例 MX J)
 キャビティ番号: 1桁の数字で表示
 金型番号: アルファベット1文字にて構成。
 部品番号: 5327と表示
 FORMED BY MX AND 1 MORE LETTER OF ALPHABET WHICH MEAN
 THE MANUFACTORY, BUT "J" MEANS JAPAN. (TO TRADE MARK) (e.g. MX J)
 AND BY 1 DIGIT NUMBER (TO CAVITY NO.)
 AND BY 1 LETTER OF ALPHABET (TO MOLD NO.)
 PART NO.: INDICATE 5327

△ 部品番号: 5325と表示
 その他は △ と同内容で記載
 PART NO.: INDICATE 5325
 INDICATE THE SAME △, OTHERWISE ENG.NO.

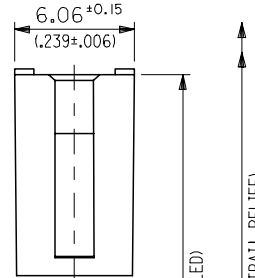
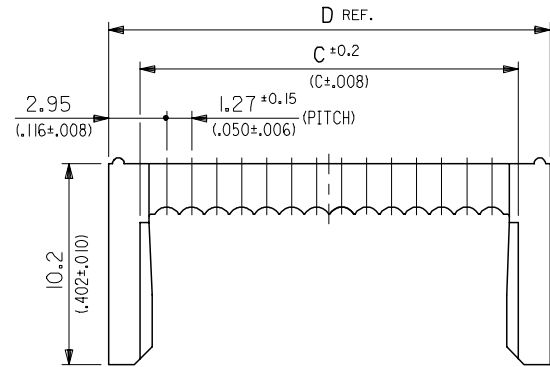
39-53-5641	5320-64AGS37F-GY	39-53-5640	5320-64AGS27F-GY	39-53-4649	5320-64AGS17F-GY			39-53-3644	5320-64AGS37F	39-53-4647	5320-64AGS27F	39-53-4646	5320-64AGS17F	64	
▲ -5601	▲ -60AGS37F-GY	▲ -5600	▲ -60AGS27F-GY	▲ -4609	▲ -60AGS17F-GY			▲ -3604	▲ -60AGS37F	▲ -4607	▲ -60AGS27F	▲ -4606	▲ -60AGS17F	60	
▼ -5501	▼ -50AGS37F-GY	▼ -5500	▼ -50AGS27F-GY	▼ -4509	▼ -50AGS17F-GY	39-53-4508	5320-50AGS47F	▲ -3504	▲ -50AGS37F	▲ -4507	▲ -50AGS27F	▲ -4506	▲ -50AGS17F	50	
								▲ -3444	▲ -44AGS37F					44	
								▲ -3404	▲ -40AGS37F					40	
								▲ -3344	▲ -34AGS37F					34	
								▲ -3304	▲ -30AGS37F					30	
								▲ -3264	▲ -26AGS37F					26	
								▲ -3204	▲ -20AGS37F					20	
								▲ -3164	▲ -16AGS37F					16	
								▲ -3144	▲ -14AGS37F					14	
								▼ -3104	▼ -10AGS37F					10	
								▼ -4107	▼ -10AGS27F					10	
								▼ -4106	▼ -10AGS17F					10	
EDP NO.	ENG. NO.	EDP NO.	ENG. NO.	EDP NO.	ENG. NO.	EDP NO.	ENG. NO.	EDP NO.	ENG. NO.	EDP NO.	ENG. NO.	EDP NO.	ENG. NO.	NO. OF CKTS.	
5320-NAGS37F-GY	LEAD FREE-	5320-NAGS27F-GY	LEAD FREE-	5320-NAGS17F-GY	LEAD FREE-	5320-NAGS47F	LEAD FREE-	5320-NAGS37F	LEAD FREE-	5320-NAGS27F	LEAD FREE-	5320-NAGS17F	LEAD FREE-		
39-51-7647	5320-64AGS3-GY	39-51-7646	5320-64AGS2-GY	39-51-7645	5320-64AGS1-GY			39-51-2642	5320-64AGS3	39-51-2641	5320-64AGS2	39-51-2640	5320-64AGS1	64	
▲ -7607	▲ -60AGS3-GY	▲ -7606	▲ -60AGS2-GY	▲ -7605	▲ -60AGS1-GY			▲ -2602	▲ -60AGS3	▲ -2601	▲ -60AGS2	▲ -2600	▲ -60AGS1	60	
▲ -7507	▲ -50AGS3-GY	▲ -7506	▲ -50AGS2-GY	▲ -7505	▲ -50AGS1-GY	39-51-8509	5320-50AGS4	▲ -2502	▲ -50AGS3	▲ -2501	▲ -50AGS2	▲ -2500	▲ -50AGS1	50	
								▲ -2442	▲ -44AGS3					44	
								▲ -2402	▲ -40AGS3					40	
								▲ -2342	▲ -34AGS3					34	
								▲ -2302	▲ -30AGS3					30	
								▲ -2262	▲ -26AGS3					26	
								▲ -2202	▲ -20AGS3					20	
								▲ -2162	▲ -16AGS3					16	
								▲ -2142	▲ -14AGS3					14	
								▼ -2102	▼ -10AGS3					10	
								▼ -2101	▼ -10AGS2					10	
								▼ -2141	▼ -14AGS2					10	
EDP NO.	ENG. NO.	EDP NO.	ENG. NO.	EDP NO.	ENG. NO.	EDP NO.	ENG. NO.	EDP NO.	ENG. NO.	EDP NO.	ENG. NO.	EDP NO.	ENG. NO.	NO. OF CKTS.	
5320-NAGS3-GY		5320-NAGS2-GY		5320-NAGS1-GY		5320-NAGS4		5320-NAGS3		5320-NAGS2		5320-NAGS1			
								39-51-0605	5320-60AG3	15-29-3602	5320-60AG2	15-29-3601	5320-60AG1	64	
								▲ -0505	▲ -50AG3	▲ -3502	▲ -50AG2	▲ -3501	▲ -50AG1	60	
								▲ -0405	▲ -40AG3	▲ -3402	▲ -40AG2	▲ -3401	▲ -40AG1	44	
								▲ -0345	▲ -34AG3	▲ -3342	▲ -34AG2	▲ -3341	▲ -34AG1	40	
														34	
														30	
														26	
														20	
														16	
														14	
								▼ -1242	▼ -12AG2					12	
								▼ -1104	▼ -10AT2	39-51-0105	5320-10AG3	15-29-3102	5320-10AG2	15-29-3101	5320-10AG1
								EDP NO.	ENG. NO.	EDP NO.	ENG. NO.	EDP NO.	ENG. NO.	NO. OF CKTS.	
								5320-NAT2	LEAD FREE-	5320-NAG3		5320-NAG2		5320-NAG1	

REVISED EC NO: J2006-0712 DRAWN: YANAGI MOTO 2005/10/03 CHKD: TANAKA 2005/10/08 APPR: NUKITA 2005/10/14	GENERAL TOLERANCES (UNLESS SPECIFIED)		DIMENSION STYLE MM ONLY		SCALE 4:1	DESIGN UNITS METRIC	THIRD ANGLE PROJECTION
	10 UNDER	± 0.2	DRAWN BY SMATSUZAKI	DATE 1997/04/23	TITLE QIK FLECS FEMALE ASSY		
	10 OVER 30 UNDER	± 0.25	CHECKED BY KTOJO	DATE 1997/10/13			
	30 OVER	± 0.3	APPROVED BY MFUKUSHIMA	DATE 1997/10/13	MOLEX INCORPORATED		
	ANGULAR ± 3 °	DRAFT WHERE APPLICABLE MUST REMAIN WITHIN DIMENSIONS		MATERIAL NO. SEE CHART	DOCUMENT NO. SD-5320-001	SHEET NO. 2 OF 2	
A	THIS DRAWING CONTAINS INFORMATION THAT IS PROPRIETARY TO MOLEX INCORPORATED AND SHOULD NOT BE USED WITHOUT WRITTEN PERMISSION						

10 9 8 7 6 5 4 3 2 1

F
E
D
C
B
A

F
E
D
C
B
A



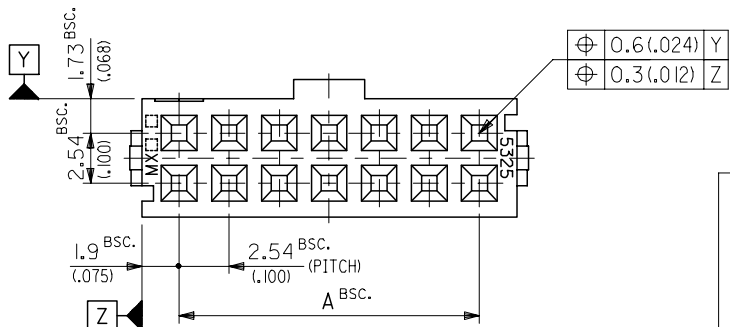
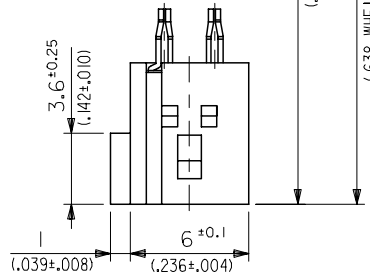
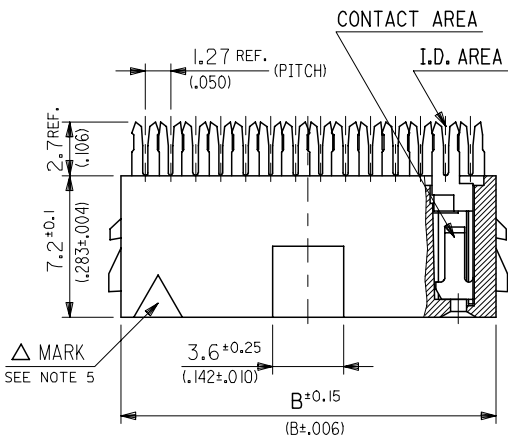
NOTES

- MATERIAL
HOUSING : G.F. 15% PBTP (UL94V-0)
TERMINAL : PHOSPHOR BRONZE
- FOR USE WITH AWG#26 & #28 STRANDED WIRE (CONSISTS OF 7 CONDUCTORS) AND #28 SOLID WIRE.
1.14(.045) DIA. MAX. INSULATION RIBBON CABLE WITH 1.27(.050) CENTERS.
- MATES WITH STRAIN RELIEF OF 5328 SERIES.
- MATES WITH CONNECTOR SERIES OF 5330,5332,5340,5342,5576 & 5578.
- LEGEND

5320 - N A * - *

BASE NUMBER _____ MATERIAL COLOR
CIRCUIT SIZE _____ BLANK : BLACK
UNLOADED UPPER HOUSING _____ GY : GREY
PLATING CODE OF TERMINAL _____

CODE : *	△MARK COLOR	CONTACT AREA PLATE	I. D. AREA PLATE	UNDER PLATE
GS1	YELLOW	GOLD 0.1μm(4μ") MIN.	TIN-LEAD 1 μm(39μ") MIN.	NICKEL 1 μm(39μ") MIN.
GS3	BLUE	GOLD 0.25μm(10μ") MIN.	TIN 1 μm(39μ") MIN.	
LEAD FREE GS17F	YELLOW	GOLD 0.1um(4μ") MIN.	TIN 1 μm(39μ") MIN.	
LEAD FREE GS37F	BLUE	GOLD 0.25μm(10μ") MIN.		
LEAD FREE T2	BLACK	TIN 0.9μm(35μ") MIN. REFLOW (PRE-PLATED)	WITHOUT	WITHOUT



64	78.74 (3.100)	82.54 (3.250)	82.71 (3.256)	85.91 (3.382)
60	73.66 (2.900)	77.46 (3.050)	77.63 (3.056)	80.83 (3.182)
50	60.96 (2.400)	64.76 (2.550)	64.93 (2.556)	68.13 (2.682)
40	48.26 (1.900)	52.06 (2.050)	52.23 (2.056)	55.43 (2.182)
34	40.64 (1.600)	44.44 (1.750)	44.61 (1.756)	47.81 (1.882)
30	35.56 (1.400)	39.36 (1.550)	39.53 (1.556)	42.73 (1.682)
26	30.48 (1.200)	34.28 (1.350)	34.45 (1.356)	37.65 (1.482)
20	22.86 (.900)	26.66 (1.050)	26.83 (1.056)	30.03 (1.182)
16	17.78 (.700)	21.58 (.850)	21.75 (.856)	24.95 (.982)
14	15.24 (.600)	19.04 (.750)	19.21 (.756)	22.41 (.882)
12	12.70 (.500)	16.50 (.650)	16.67 (.656)	19.87 (.782)
10	10.16 (.400)	13.96 (.550)	14.13 (.556)	17.33 (.682)
NO. OF CKTS.	DIM. A	DIM. B	DIM. C	DIM. D

REVISED EC NO: J2006-0712 DRW: YANAGI MOTO 2005/10/03 CHK: D. TANAKA 2005/10/06 APPR: NUKITA 2005/10/14	GENERAL TOLERANCES (UNLESS SPECIFIED)		DIMENSION STYLE MM ONLY		SCALE 4:1	DESIGN UNITS METRIC	THIRD ANGLE PROJECTION
	10 UNDER	±0.2	DRAWN BY HIRAMOTO	DATE 1990/07/11	TITLE QIK FLECS FEMALE ASSY ENGLISH ONLY		
	10 OVER 30 UNDER	±0.25	CHECKED BY MSASAO	DATE	APPROVED BY HIKESUGI		
	30 OVER	±0.3	APPROVED BY HIKESUGI		MOLEX MOLEX INCORPORATED		
	ANGULAR ±3 °		MATERIAL NO. SEE SHEET 2 OF 2		DOCUMENT NO. SD-5320-002	SHEET NO. 1 OF 2	
DRAFT WHERE APPLICABLE MUST REMAIN WITHIN DIMENSIONS		THIS DRAWING CONTAINS INFORMATION THAT IS PROPRIETARY TO MOLEX INCORPORATED AND SHOULD NOT BE USED WITHOUT WRITTEN PERMISSION					

10 9 8 7 6 5 4 3 2 1

F

E

D

C

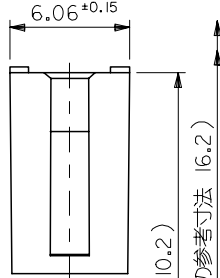
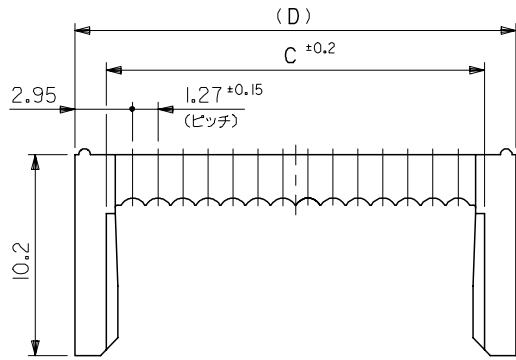
B

A

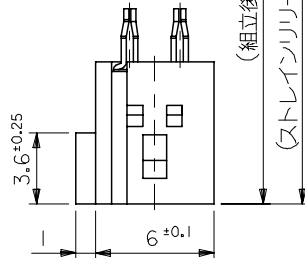
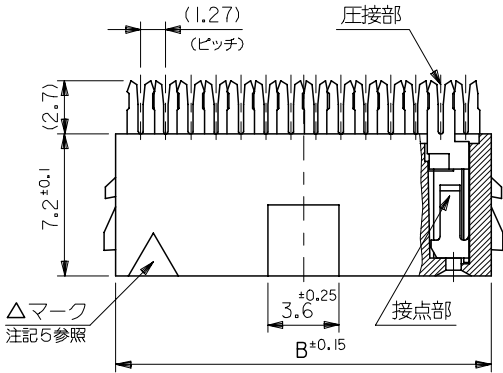
		60
39-52-1504	5320-50AT2	50
▲ -1404	▲ -40AT2	40
-1344	-34AT2	34
-1304	-30AT2	30
-1264	-26AT2	26
-1204	-20AT2	20
-1164	-16AT2	16
▼ -1144	▼ -14AT2	14
39-52-1104	5320-10AT2	10
EDP NO.	ENG. NO.	NO. OF CKTS.
5320-NAT2	-LEAD FREE-	

39-53-3604	5320-60AGS37F	39-51-2602	5320-60AGS3	60
▲ -3504	▲ -50AGS37F	▲ -2502	▲ -50AGS3	50
-3404	-40AGS37F	-2402	-40AGS3	40
-3344	-34AGS37F	-2342	-34AGS3	34
-3304	-30AGS37F	-2302	-30AGS3	30
-3264	-26AGS37F	-2262	-26AGS3	26
-3204	-20AGS37F	-2202	-20AGS3	20
-3164	-16AGS37F	-2162	-16AGS3	16
▼ -3144	▼ -14AGS37F	▼ -2142	▼ -14AGS3	14
39-53-3104	5320-10AGS37F	39-51-2102	5320-10AGS3	10
EDP NO.	ENG. NO.	EDP NO.	ENG. NO.	NO. OF CKTS.
5320-NAGS37F	-LEAD FREE-	5320-NAGS3		
39-53-4606	5320-60AGS17F	39-51-2600	5320-60AGS1	60
▲ -4506	▲ -50AGS17F	▲ -2500	▲ -50AGS1	50
-4406	-40AGS17F	-2400	-40AGS1	40
-4346	-34AGS17F	-2340	-34AGS1	34
-4306	-30AGS17F	-2300	-30AGS1	30
-4266	-26AGS17F	-2260	-26AGS1	26
-4206	-20AGS17F	-2200	-20AGS1	20
-4166	-16AGS17F	-2160	-16AGS1	16
▼ -4146	▼ -14AGS17F	▼ -2140	▼ -14AGS1	14
39-53-4106	5320-10AGS17F	39-51-2100	5320-10AGS1	10
EDP NO.	ENG. NO.	EDP NO.	ENG. NO.	NO. OF CKTS.
5320-NAGS17F	-LEAD FREE-	5320-NAGS1		

REVISED EC NO: J2006-0712 DRWN: YANAGI MOTO 2005/10/03 CHKD: TANAKA 2005/10/06 APPR: NUKITA 2005/10/14	GENERAL TOLERANCES (UNLESS SPECIFIED)		DIMENSION STYLE	SCALE	DESIGN UNITS	THIRD ANGLE PROJECTION
	10 UNDER	± 0.2	MM ONLY	4:1	METRIC	QIK FLECS FEMALE ASSY ENGLISH ONLY
	10 OVER 30 UNDER	± 0.25	DRAWN BY	DATE	TITLE	
	30 OVER	± 0.3	HHIRAMOTO	1990/07/11	MOLEX MOLEX INCORPORATED	
	ANGULAR	± 3 °	CHECKED BY	DATE	MATERIAL NO.	DOCUMENT NO.
		MSASAO		SEE CHART	SD-5320-002	2 OF 2
		APPROVED BY	DATE	THIS DRAWING CONTAINS INFORMATION THAT IS PROPRIETARY TO MOLEX INCORPORATED AND SHOULD NOT BE USED WITHOUT WRITTEN PERMISSION		
		HIKESUGI				
		DRAFT WHERE APPLICABLE MUST REMAIN WITHIN DIMENSIONS				
		SIZE				
		A3				



(ストレインリリーフ使用の際の参考寸法 16.2)

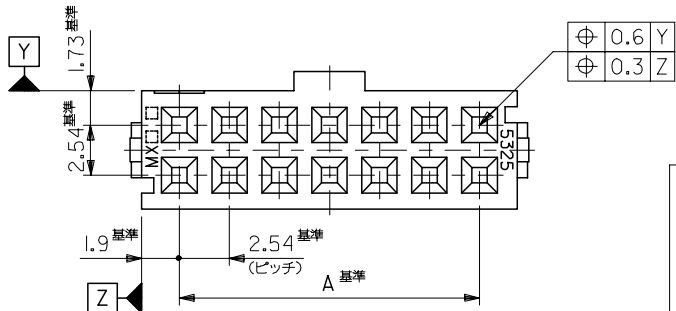


注記

- 材料 ハウジング : ガラス繊維 15% 入りPBTP (UL94V-0), 黒色
ターミナル : リン青銅
- 適用電線 : 1.27ピッチリボンケーブル 被覆外径 : $\phi 1.14$ MAX.
より線 : AWG#26 ~ #28 (芯線 7 本構成)
単線 : AWG#28
- 適合ストレインリリーフ : 5328-N
- 嵌合相手 : 5330, 5332, 5340, 5342 シリーズ
- 使用符号の説明 **5320 - N A ***
ベースナンバー _____
極数 _____
アッパーハウジング分離タイプ _____
ターミナルのメッキコード _____

コード*	△マークの色	接点部メッキ	圧接部メッキ	下地メッキ
GS1	黄	金 0.1 μ m MIN.	半田 1 μ m MIN.	ニッケル
GS3	青	金 0.25 μ m MIN.		1 μ m MIN.
LEAD FREE GS17F	黄	金 0.1 μ m MIN.	錫 1 μ m MIN.	
LEAD FREE GS37F	青	金 0.25 μ m MIN.		
LEAD FREE T2	黒	錫 0.9 μ m MIN. リフロー処理 (前メッキ)		

60	73.66	77.46	77.63	80.83
50	60.96	64.76	64.93	68.13
40	48.26	52.06	52.23	55.43
34	40.64	44.44	44.61	47.81
30	35.56	39.36	39.53	42.73
26	30.48	34.28	34.45	37.65
20	22.86	26.66	26.83	30.03
16	17.78	21.58	21.75	24.95
14	15.24	19.04	19.21	22.41
10	10.16	13.96	14.13	17.33
極数	A 寸法	B 寸法	C 寸法	D 寸法



REVISED	EC NO: J2006-0712	DRWN: YANAGI MOTO 2005/10/03	CHKD: TANAKA 2005/10/06	APPR: NUKITA 2005/10/14	GENERAL TOLERANCES (UNLESS SPECIFIED)		DIMENSION STYLE		SCALE	DESIGN UNITS	THIRD ANGLE PROJECTION	
					10 UNDER	±0.2	MM ONLY	4:1	METRIC			
					10 OVER	±0.25	DRAWN BY	DATE	TITLE			
					30 UNDER	±0.3	H. HIRAMOTO	1990/07/10	QIK FLECS FEMALE ASSY			
					30 OVER	±0.3	CHECKED BY	DATE	MOLEX INCORPORATED			
					ANGULAR	±3 °	M. SASAO		SD-5320-007			
					DRAFT WHERE APPLICABLE MUST REMAIN WITHIN DIMENSIONS		APPROVED BY	DATE	DOCUMENT NO.		SHEET NO.	
							H. IKESUGI		SD-5320-007		1 OF 2	
							MATERIAL NO.	SEE SHEET 2 OF 2				
							SIZE	THIS DRAWING CONTAINS INFORMATION THAT IS PROPRIETARY TO MOLEX INCORPORATED AND SHOULD NOT BE USED WITHOUT WRITTEN PERMISSION				
							A3					

10 9 8 7 6 5 4 3 2 1

F

F

E

E

D

D

C

C

B

B

A

A

		60
39-52-1504	5320-50AT2	50
▲ -1404	▲ -40AT2	40
-1344	▲ -34AT2	34
-1304	-30AT2	30
-1264	-26AT2	26
-1204	-20AT2	20
-1164	-16AT2	16
▼ -1144	▼ -14AT2	14
39-52-1104	5320-10AT2	10
EDP NO.	ENG. NO.	極 数
5320-NAT2	-LEAD FREE-	

39-53-3604	5320-60AGS37F	39-51-2602	5320-60AGS3	60
▲ -3504	▲ -50AGS37F	▲ -2502	▲ -50AGS3	50
▼ -3404	▼ -40AGS37F	-2402	▲ -40AGS3	40
-3344	▼ -34AGS37F	-2342	-34AGS3	34
-3304	-30AGS37F	-2302	-30AGS3	30
-3264	-26AGS37F	-2262	-26AGS3	26
-3204	-20AGS37F	-2202	-20AGS3	20
-3164	-16AGS37F	-2162	-16AGS3	16
-3144	-14AGS37F	▼ -2142	▼ -14AGS3	14
39-53-3104	5320-10AGS37F	39-51-2102	5320-10AGS3	10
EDP NO.	ENG. NO.	EDP NO.	ENG. NO.	極 数
5320-NAGS37F	-LEAD FREE-	5320-NAGS3		
39-53-4606	5320-60AGS17F	39-51-2600	5320-60AGS1	60
▲ -4506	▲ -50AGS17F	▲ -2500	▲ -50AGS1	50
-4406	-40AGS17F	-2400	-40AGS1	40
-4346	-34AGS17F	-2340	-34AGS1	34
-4306	-30AGS17F	-2300	-30AGS1	30
-4266	-26AGS17F	-2260	-26AGS1	26
-4206	-20AGS17F	-2200	-20AGS1	20
-4166	-16AGS17F	-2160	-16AGS1	16
▼ -4146	▼ -14AGS17F	▼ -2140	▼ -14AGS1	14
39-53-4106	5320-10AGS17F	39-51-2100	5320-10AGS1	10
EDP NO.	ENG. NO.	EDP NO.	ENG. NO.	極 数
5320-NAGS17F	-LEAD FREE-	5320-NAGS1		

REVISED EC NO: J2006-0712 DRW: YANAGI MOTO 2005/10/03 CHK: M. TANAKA 2005/10/06 APPR: NUKITA 2005/10/14	GENERAL TOLERANCES (UNLESS SPECIFIED)		DIMENSION STYLE MM ONLY		SCALE 4:1	DESIGN UNITS METRIC	THIRD ANGLE PROJECTION	
	10 UNDER	± 0.2	DRAWN BY H. HIRAMOTO		DATE 1990/07/10		TITLE QIK FLECS FEMALE ASSY	
	10 OVER 30 UNDER	± 0.25	CHECKED BY M. SASAO		DATE			
	30 OVER	± 0.3	APPROVED BY H. IKESUGI		DATE		MOLEX INCORPORATED	
	ANGULAR	± 3 °	MATERIAL NO.		DOCUMENT NO.			
DRAFT WHERE APPLICABLE MUST REMAIN WITHIN DIMENSIONS		SEE CHART		SD-5320-007		2 OF 2		